



Cipriani Harrison Valves Corp.

Spray Ball O17 Series

Dimensions	O	M	L	F
1" x 2 1/2"	17/64"	1 1/32"	3 1/2"	2 1/2"
1 1/2" x 2 1/2"	1 43/64"	1 36/64"	3 1/2"	2 1/2"
1 1/2" x 3 1/2"	1 43/64"	1 36/64"	4 3/4"	3 1/2"
2" x 3 1/2"	2 23/64"	2 3/64"	4 3/4"	3 1/2"

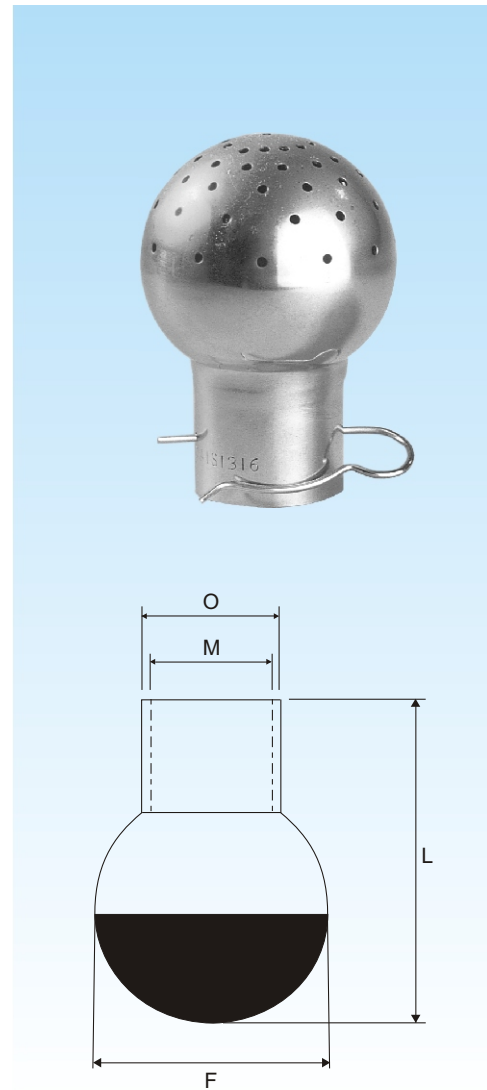
	DIA OF HOLES	FLOWRATE (GPM) PRESSURE Min. 14.7 PSI	RADIUS (FT)
TYPE A			
1" x 2.5"	3/32"	30	6
1.5" x 2.5"	3/32"	28	6
1.5" x 3.5"	3/32"	48	6.5
2" x 3.5"	5/64"	70	7.5

TYPE B			
1" x 2.5"	3/32"	18	6
1.5" x 2.5"	3/32"	16	6
1.5" x 3.5"	3/32"	23	6.5
2" x 3.5"	5/64"	35	7.5

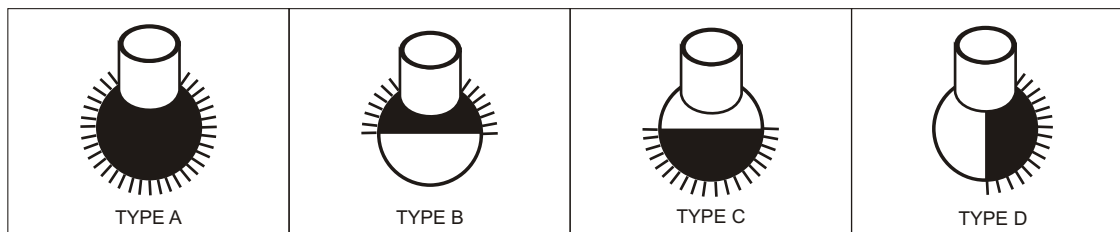
TYPE C			
1" x 2.5"	3/32"	18	6
1.5" x 2.5"	3/32"	16	6
1.5" x 3.5"	3/32"	23	6.5
2" x 3.5"	5/64"	35	7.5

TYPED			
1" x 2.5"	3/32"	18	6
1.5" x 2.5"	3/32"	16	6
1.5" x 3.5"	3/32"	23	6.5
2" x 3.5"	5/64"	35	7.5

ALL TYPES WITH PIN



Spray Pattern



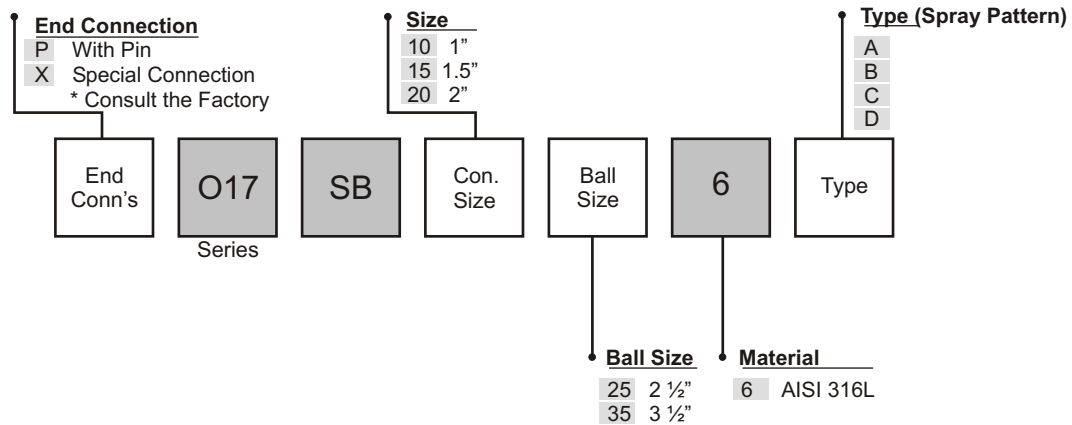
Cipriani Harrison Valves Corp.

30271 Tomas Street • Rancho Santa Margarita, CA 92688 • Tel. 949/589-3978 • Fax 949/589-3979
Email : cipriani@ciprianicorp.com • Website : <http://www.ciprianicorp.com/>

Spray Ball

O17 Series

O17 Series Spray Ball Ordering System



30271 Tomas Street • Rancho Santa Margarita, CA 92688 • Tel. 949/589-3978 • Fax 949/589-3979
Email : cipriani@ciprianicorp.com • Website : <http://www.ciprianicorp.com/>