



*Cipriani Harrison Valves Corp.*

## Tank Vent 645 Series

### Application

The Tank Vent is used as a breather valve to avoid vacuum or over pressurization inside a tank or piping system.

### Working Principle

When the pressure in a tank goes below atmospheric pressure the valve sucks in air to reach equilibrium with atmospheric pressure. When the pressure inside of a tank goes above atmospheric pressure the assembly moves up and releases the pressure to reach equilibrium with atmospheric pressure.

### Standard Design

A light weight seat-seal assembly with calibrated spring is enclosed in a special polymer bushing. The bushing is guided in a stainless steel housing.

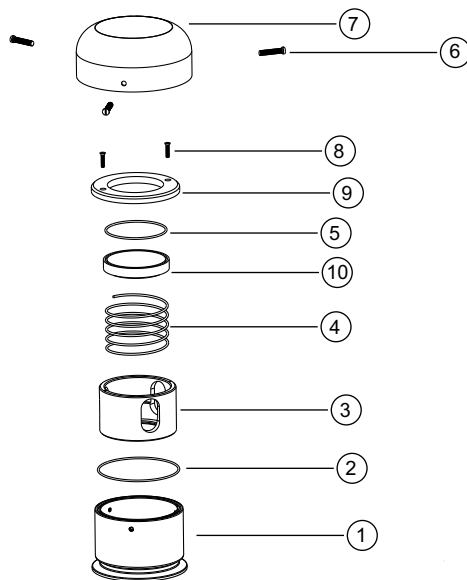
### Available sizes

1.5", 2", 2.5", 3" 4"

### Options

End connections: Sanitary Clamp  
Others on request

Material: AISI 316L or AISI 304L



Exploded view of standard Tank Vent

NO.	PART NO.	DESCRIPTION	MATERIAL
1	64501	VALVE BODY	AISI 316L / AISI 304L
2	64502	O'RING	EPDM
3	64503	GUIDE BUSHING	DELTRIN
4	64504	SPRING	AISI316L / AISI 304L
5	64505	O'RING	EPDM
6	64506	SCREW	AISI 304
7	64507	COVER	AISI 304
8	64508	SCREW	AISI 304
9	64509	SEAT PLATE	AISI 316L / AISI 304L
10	64510	SEAT	DELTRIN

*Cipriani Harrison Valves Corp.*

30271 Tomas Street • Rancho Santa Margarita, CA 92688 • Tel. 949/589-3978 • Fax 949/589-3979  
Email : [cipriani@ciprianicorp.com](mailto:cipriani@ciprianicorp.com) • Website : <http://www.ciprianicorp.com/>

# Tank Vent

645 Series

## TECHNICAL SPECIFICATIONS :

### Material :

Main steel parts.....AISI 316L or AISI 304L  
 Other steel parts.....AISI 304

### FDA Seals :

Standard.....EPDM  
 Optional.....VITON  
 SILICONE

Bushing :..... DELRIN

### Nominal Pressure :

Vacuum break : 0.09 PSI

Suitable for 200 GPM

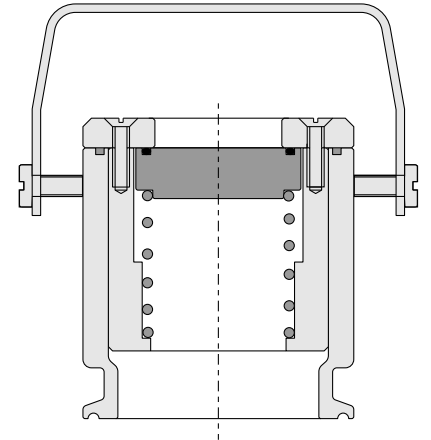
Positive Pressure 1PSI

### Surface Finish :

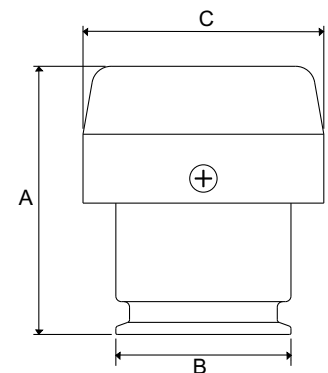
Standard Finish..... Ra <= 25 u in (Grit 220g)

Connections ..... Sanitary Clamp (ISO 2852 / BS 4825)

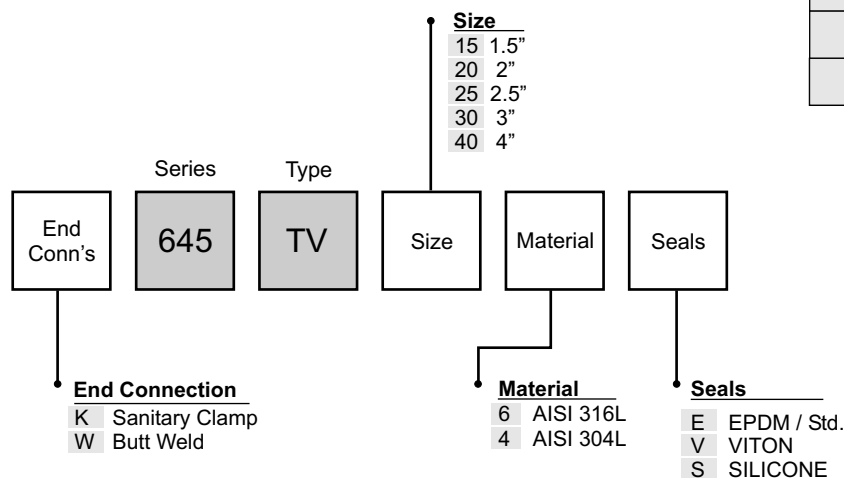
Optional..... Butt Weld (ISO 2037 / BS 4825)  
 Other Connections on request



Dimensions (Inches)



## 645 Series Tank Vent Ordering System



30271 Tomas Street • Rancho Santa Margarita, CA 92688 • Tel. 949/589-3978 • Fax 949/589-3979  
 Email : cipriani@ciprianicorp.com • Website : <http://www.ciprianicorp.com/>