

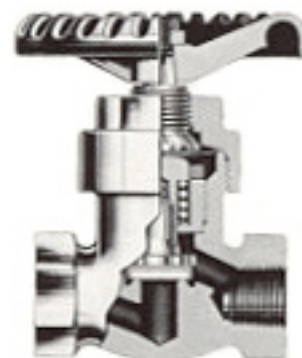
# Kerotest Packless Globe Valve

## R-42 Series



Used in a multitude of applications for over 50 years

- Zero environmental leakage
- No packing to maintain or replace
- Dual seats above and below
- Compact design – quick opening
- Variety of body and seat materials
- Cycle life varies with the application



## APPLICATIONS

**Hazardous Liquids & Gases**  
**Vacuum Service**  
**Volatile Fluids**

**Controlling Contaminants**  
**Instrumentation**  
**Natural Gas Odorizing**  
**Hydrogen Cooled Generators**

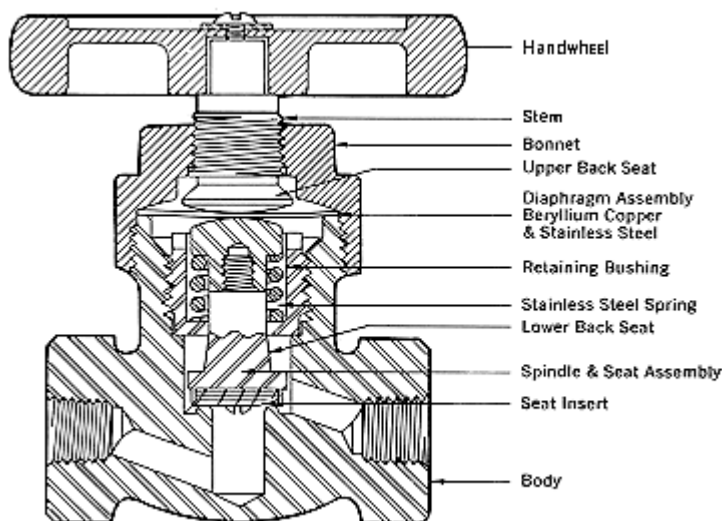
**Refrigerant Service**  
**Compressed Gases**  
**Leakage Monitoring**

### DESIGN PRINCIPLE

The unique feature of this concept is the prevention of liquid or gas media from escaping to the atmosphere. This is achieved by the packless-metal-diaphragm concept in which a seal is effected by the diaphragms being held in place with the body and bonnet engagement.

When the valve handwheel is turned from an open to closed position, the bottom head of the stem deflects the diaphragm assembly which depresses the spindle, over-coming the spring lift, until the seat insert closes the body orifice. On opening, the spring energy raises the insert from the body orifice.

THE UNIQUE DESIGN ELIMINATES ENVIRONMENTAL LEAKAGE AS WELL AS COSTLY PACKING MAINTENANCE . . . A distinct advantage from many viewpoints, including safety, loss of valuable or dangerous media, and overall cost of maintenance for the life of the system.



**Kerotest Manufacturing Corp.**

5500 Second Avenue  
Pittsburgh, PA 15207

Phone: 412-521-7688 Fax: 412-521-5990

# Kerotest Packless Globe Valve

## R-42 Series Ordering Table

Figure No.	Size (inches)	Body	Internals	Seat	Max. W.P. PSI	Max. Temp. (F)	Approx. Weights (lbs)
R42A01P	1/8" FPT	Brass	Brass	Nylon	750	275	1
R42A02P	1/4" FPT	Brass	Brass	Nylon	750	275	1
R42A03P	3/8" FPT	Brass	Brass	Nylon	500	275	2
R42A04P	1/2" FPT	Brass	Brass	Nylon	500	275	2
R42R02P	1/4" FPT	316 SS	303 SS	Teflon	750	300	1
R42R03P	3/8" FPT	316 SS	303 SS	Teflon	500	300	2
R42R04P	1/2" FPT	316 SS	303 SS	Teflon	500	300	2
R42U02P	1/4" FPT	316 SS	303 SS	Nylon	750	275	2
R42U03P	3/8" FPT	316 SS	303 SS	Nylon	500	270	2
R42U04P	1/2" FPT	316 SS	303 SS	Nylon	500	275	2
R42U06P	3/4" FPT	316 SS	303 SS	Nylon	300	275	5
R42U08P	1" FPT	316 SS	303 SS	Nylon	300	275	5
R42X60FT	1/2" FPT	316 SS	303 SS	Teflon	1000	300	2
R42U02SW	1/4" S.W.	316 SS	303 SS	Nylon	750	275	1
R42U03SW	3/8" S.W.	316 SS	303 SS	Nylon	500	275	2
R42U04SW	1/2" S.W.	316 SS	303 SS	Nylon	500	275	2
R42X33W	1/2" S.W.	316 SS	Brass	Nylon	500	275	2
R42U06SW	3/4" S.W.	316 SS	303 SS	Nylon	300	275	5
R42U08SW	1" S.W.	316 SS	303 SS	Nylon	300	275	4
R42X23TC	3/8" FPT	Carbon S.	303 SS	Teflon	500	300	2
R42X23T	1/2" FPT	Carbon S.	303 SS	Teflon	500	300	2
R42X23	1/2" FPT	Carbon S.	303 SS	Nylon	500	275	2
R42C06P	3/4" FPT	Carbon S.	303 SS	Nylon	300	275	5
R42C08P	1" FPT	Carbon S.	303 SS	Nylon	300	275	5
R42X48T	1/2" FPT	Carbon S.	303 SS	Teflon	1000	300	2
R42X24A	1/4" S.W.	Carbon S.	303 SS	Teflon	500	300	2
R42X24B	3/8" S.W.	Carbon S.	303 SS	Teflon	500	300	2
R42X24WC	1/2" S.W.	Carbon S.	303 SS	Nylon	500	275	2
R42X24WCT	1/2" S.W.	Carbon S.	303 SS	Teflon	500	300	2
R42C06SW	3/4" S.W.	Carbon S.	303 SS	Nylon	300	275	5
R42C08SW	1" S.W.	Carbon S.	303 SS	Nylon	300	275	5
456-C12SWT	1.5" S.W.	Carbon S.	Carbon S.	Teflon	300	300	22
456-C16SWT	2" S.W.	Carbon S.	Carbon S.	Teflon	300	300	22

Typical Cv Valves: 1/2"-1.5, 3/4"-2.3, 1"-2.4, 1.5"-21.0, 2"-24.0

Key: FPT = Female Pipe Thread  
SW = Socket Weld

Delivery : 4 - 6 weeks after receipt of order

Pricing : Same regardless of quantity ordered

Shipment: F.O.B Mansura, LA, 71350, USA

Terms : Net 30 days



**Kerotest Manufacturing Corp.**

5500 Second Avenue

Pittsburgh, PA 15207

Phone: 412-521-7688 Fax: 412-521-5990