

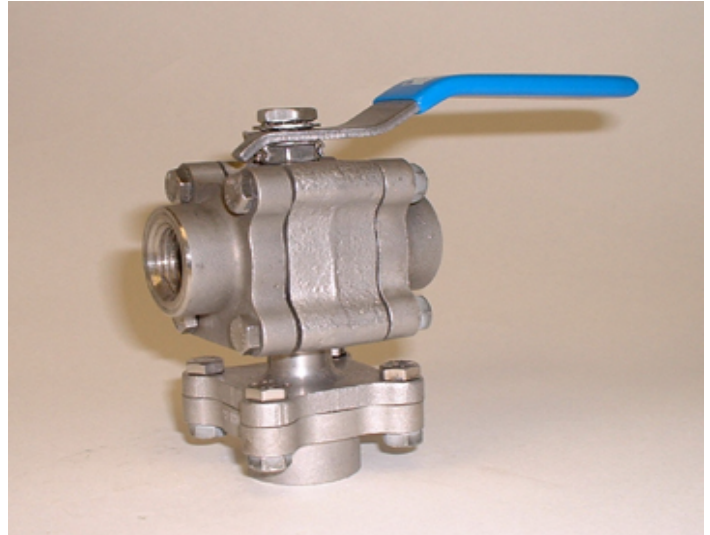


The SVF Series D7/T7, three-piece ball valve represents the next generation in design and performance. This process quality, high-performance valve has been engineered and manufactured to meet all of the industry standards for quality and performance. This feature-rich design adds safety, reliability and superior performance to any process control system.

FEATURES

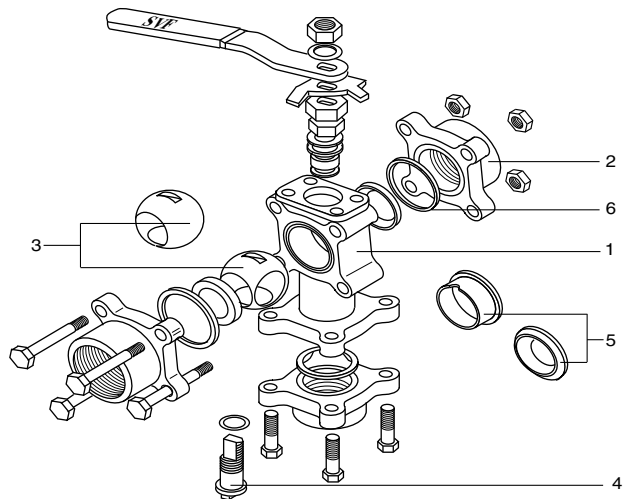
1/4 - 2"

- Live-loaded stem seal as per ISA-SP-93
- Self-relieving seats that reduce operating torque and improve seat life
- Integral ISO mounting pad to ISO-5211
- Stainless steel ends are 316L grade
- Blowout-proof stem
- Stainless externals - hardware, stem and handle
- Full Range of versatile options



MATERIALS

Item	Description	Material
1	Body	Alloy 20, Carbon Steel, Hastelloy C, 316 Stainless
2	Body Connector	Alloy 20, Carbon Steel, Hastelloy C, 316 Stainless
3	Ball	Alloy 20, Hastelloy C, 316 Stainless, Monel
4	Stem	Alloy 20, Hastelloy C, 316 Stainless, Monel
5	Valve Seat	TFE, Reinforced TFE, NRG, Delrin, UHMWPE, PEEK, VXI
5A	Cavity Filled Seat	TFE
6	Body Connector Seal	TFE, Graphoil, Buna "N", UHMWPE



DIMENSIONS & WEIGHTS (ins., lbs.)

Size	A	B	D	E	F	G	H	S	weight lbs
1/2"	2.80	2.75	0.56	0.47	2.05	1.59	1.87	4.49	2.5
3/4"	2.80	2.75	0.56	0.47	2.05	1.59	1.87	4.49	2.5
1"	3.66	3.45	0.81	0.63	2.45	2.19	2.40	5.75	4.5
1-1/2"	4.56	4.15	1.25	1.05	3.15	2.87	3.15	7.00	9.0
2"	5.04	4.50	1.50	1.40	3.55	3.07	3.31	7.00	12.5

