



The SVF Series E8 three-piece ball valve features a specially blended NGR seat material making it ideal for use in thermal fluid applications. The "Thermal-Safe" extension stem is compatible with insulated piping systems and provides a safer and cooler operating distance for plant personnel.

FEATURES

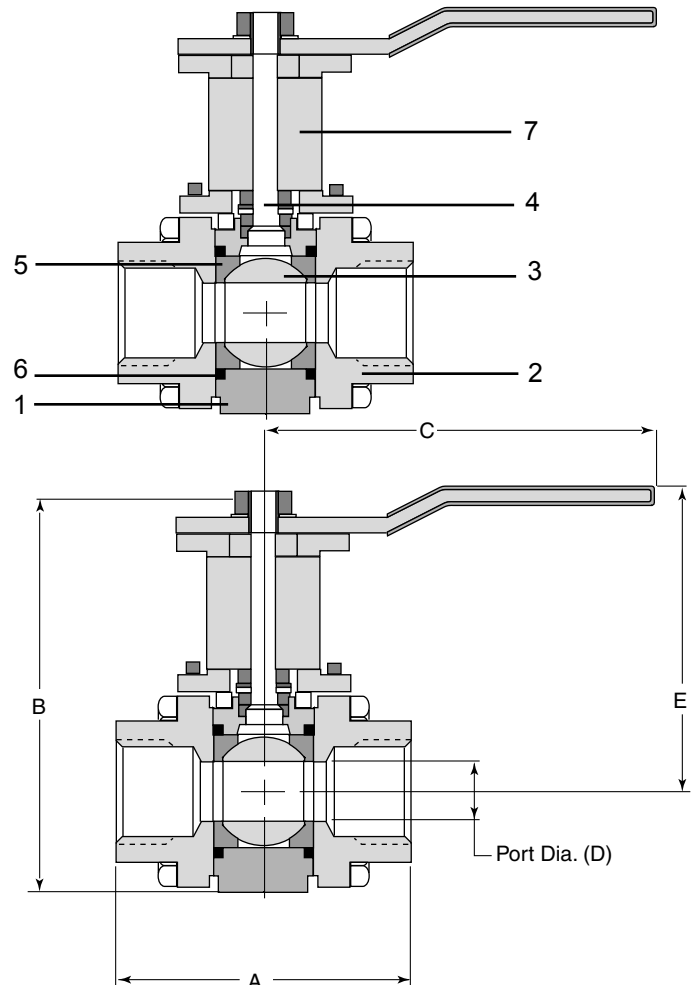
1/2 - 3"

- Ideal for thermal fluids to 650F @ 30psi
- "Thermal Safe" extension is designed to clear pipe insulation (not available in 2 1/2 - 3")
- Live-loaded stem seal as per ISA-SP-93
- Encapsulated body seals to facilitate inline weldability without disassembly
- Self-relieving seats that reduce operating torque and improve seat life
- Integral ISO mounting pad to ISO-5211 (except 3")
- Stainless steel ends are 316L grade
- Blowout-proof stem
- Stainless externals - hardware, stem and handle



MATERIALS

Item	Description	Material
1	Body	Carbon Steel, 316 Stainless
2	Body Connector	Carbon Steel, 316 Stainless
3	Ball	316 Stainless
4	Stem	316 Stainless
5	Valve Seat	NRG (650F @ 30psi)
6	Body Connector Seal	Graphoil
7	"Thermal Safe" Extension	316 Stainless



DIMENSIONS & WEIGHTS (ins., lbs.)

Size	A	B	C	D	E	weight (lbs)
1/2"	2.60	6.00	4.49	0.44	4.80	3.7
3/4"	2.80	6.00	4.49	0.56	4.80	5.0
1"	3.66	6.50	5.75	0.81	5.90	5.7
1-1/4"	4.25	6.70	5.75	1.00	6.10	7.0
1-1/2"	4.56	7.90	7.00	1.25	6.60	9.3
2"	5.04	8.90	7.00	1.50	7.30	12.3
2 1/2"	6.00	8.60	10.50	2.00	3.67	20.2
3	6.65	10.50	13.80	2.50	7.30	30.0