



The SVF Series P3 is a high pressure ball valve designed to meet applications to 5,000 psi. The P3 features a forged carbon or stainless steel body, Delrin or PEEK seats and socket weld or threaded end connections. It is available from 1/4" to 2" line size. This engineered valve adds safety and reliability to high pressure systems.

FEATURES

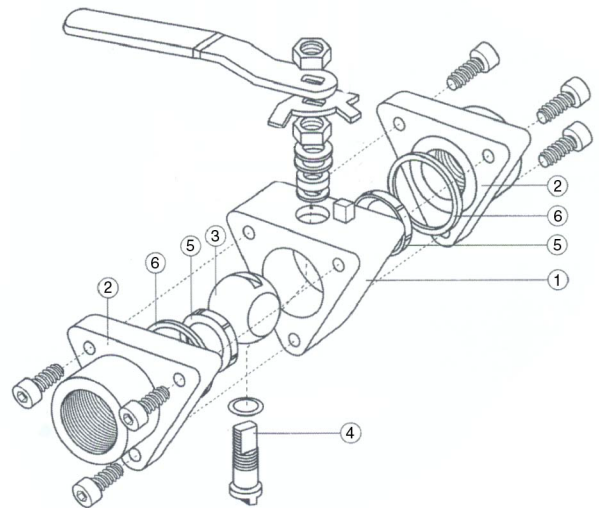
1/4 - 2"

- High pressure to 5,000 psi
- Forged body (CS or SS)
- Ideal for use with hydraulics, oil & gas and compressed gas systems
- Blowout-proof stem
- 1/4" to 2" line sizes
- Minimal operating torque
- Full range of options



MATERIALS

Item	Description	Material
1	Body	Carbon Steel, 316 Stainless
2	Body Connector	Carbon Steel, 316 Stainless
3	Ball	316 Stainless
4	Stem	17-4 Stainless
5	Valve Seat	Delrin, Peek
6	Body Connector Seal	Buna N, EPOM, Viton



DIMENSIONS & WEIGHTS (ins., lbs.)

Size	A	B	C	D	weight (lbs)
1/4"	3.06	5.50	1.50	0.44	1.50
3/8"	3.06	5.50	1.50	0.44	1.50
1/2"	3.06	5.50	1.50	0.44	1.50
3/4"	3.34	5.50	1.58	0.58	2.20
1"	4.25	7.25	2.18	0.81	4.40
1-1/4"	4.75	7.25	2.38	1.00	6.60
1-1/2"	5.15	10.25	2.87	1.25	8.80
2"	5.59	10.25	3.07	1.50	11.90

