

RJ6 & J31 SERIES

STEAM JACKETED BALL VALVES

Size Range:

1/2" - 4"

End Connections:

Threaded

Butt Weld

Socket Weld

150# Flanged

Valve Materials:

316 Stainless Steel

Ball & Stem Materials:

316 Stainless Steel

A 20

Monel

Hast C

Service Applications:

Asphalt

Chocolate

Jam

Resins

Syrup

Tar

Wax

Seat Materials:

Teflon

Reinforced Teflon

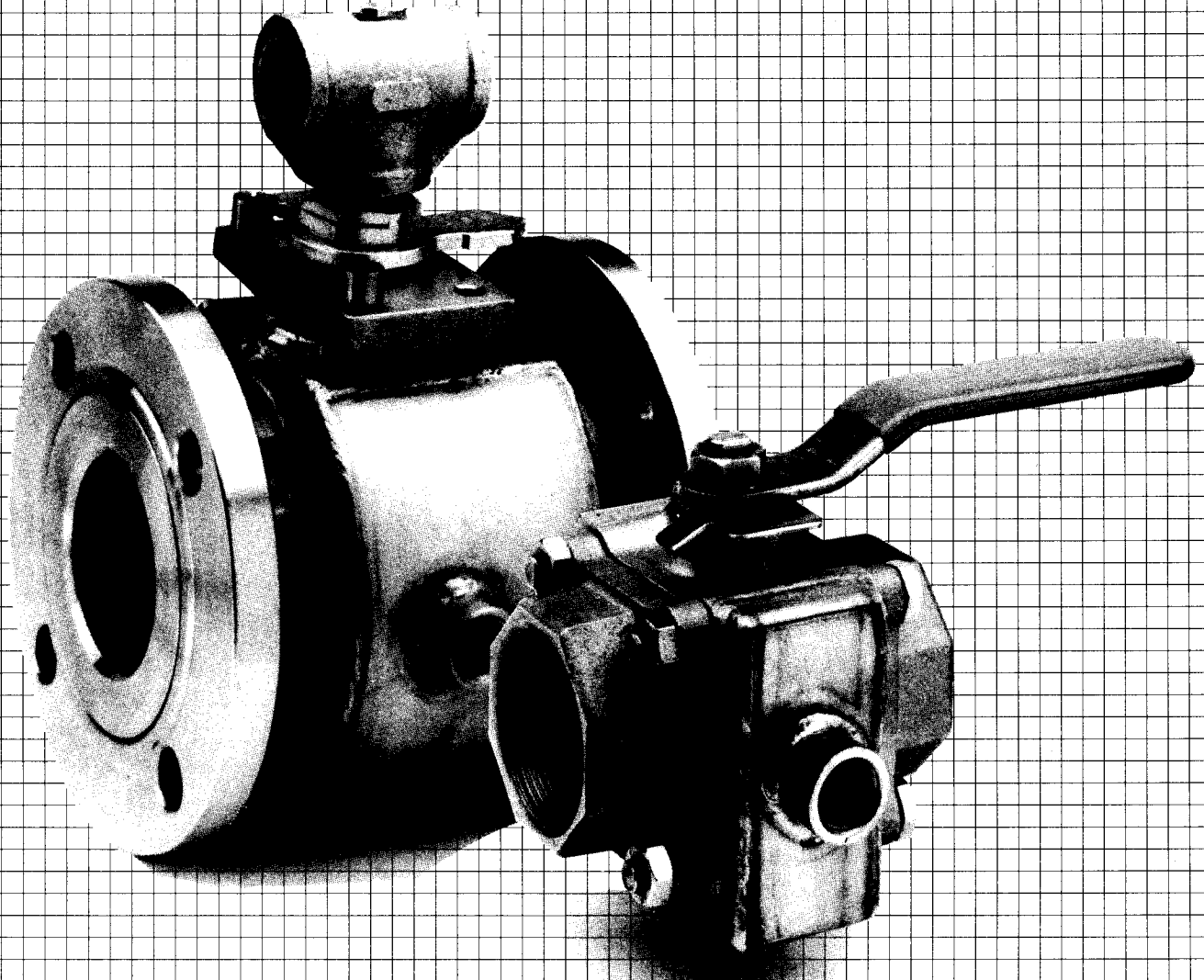
NRG

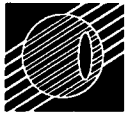
Delrin

VXI

Tempre K (PEEK)

UHMWPE

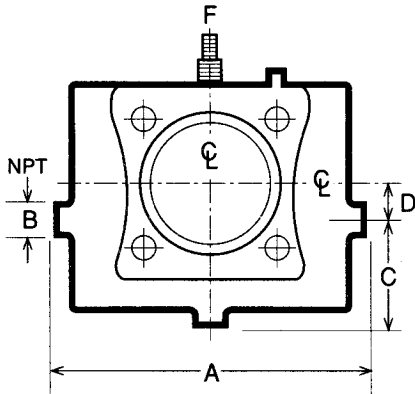




NOTES ON STEAM JACKETED VALVES

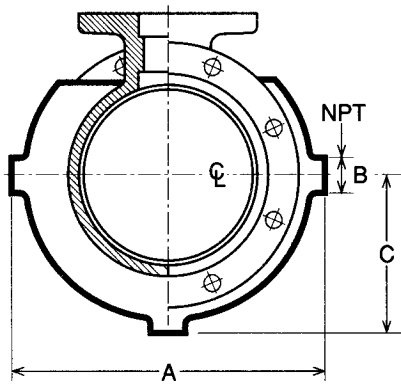
1. Maximum Pressure in Jacket = 150 PSI.
2. Jacketed Valves available in Stainless only.
3. For Seat/Seal Trim & Service Application refer to relevant SVF catalog page.
4. 3-piece Full Port Valve available in 1/2" - 3" size.
5. Steam Jacket is 304 Stainless Steel.

RJ6 SERIES 1/2" TO 2" BALL VALVES



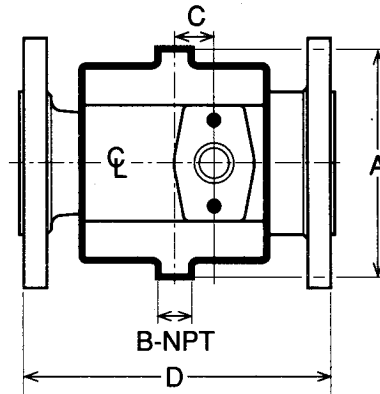
SIZE	1/2"	3/4"	1"	1-1/2"	2"
A	3.70	4.10	4.45	5.30	5.80
B	1/8"	1/8"	1/4"	1/2"	1/2"
C	1.60	1.70	1.93	2.45	2.65
D	.25	.35	.25	.25	.30

RJ6 SERIES 2-1/2" TO 4" BALL VALVES



SIZE	2-1/2"	3"	4"
A	7.48	8.35	10.90
B	3/4"	3/4"	3/4"
C	3.72	4.14	5.45

J31 SERIES 1/2" TO 4" FLANGED BALL VALVES



SIZE	1/2"	3/4"	1"	1-1/2"	2"	3"	4"
A	3.62	3.62	3.82	5.19	5.55	7.91	10.08
B	3/8"	3/8"	1/2"	1/2"	3/4"	3/4"	3/4"
C	0	0	0.19	0.90	0.63	0	0
D	4.25	4.62	5.00	6.50	7.00	8.00	9.00

150# ANSI B16.5 FLANGE DIMENSIONS

HOW TO ORDER

2" RJ6 66 66 N G SE

SIZE	STYLE	BODY & END MATERIAL	BALL & STEM	SEAT	SEAL	ENDS
1/4"	RJ6	6 - 316 Stainless Steel	3 - Monel	T - Virgin PTFE®	V - Viton®	SE - Screwed (NPT)
3/8"	J31		6 - 316 Stainless Steel	R - Reinforced Teflon	G - Graphoil	BW - Butt Weld
1/2"			8 - Alloy 20	N - N-R-G (Steam)	T - Virgin Teflon®	150- 150# Flanged
3/4"			9 - Hastelloy C	D - Delrin	U - UHMWPE	TR - Tri Clamp®
1"				V - VX1		
1-1/2"				U - UHMWPE		
2"				K - Tempre K		
2-1/2"						
3"						
4"						

* DuPont

** Ladish