



CleanFLOW ball valves are engineered to be a true process piping component to specifically meet the demanding processes found in the pharmaceutical, semiconductor and other industries where particle generation and contamination are unacceptable. The "Tube-ID" port opening is dimensionally identical to the adjacent tubing.

FEATURES

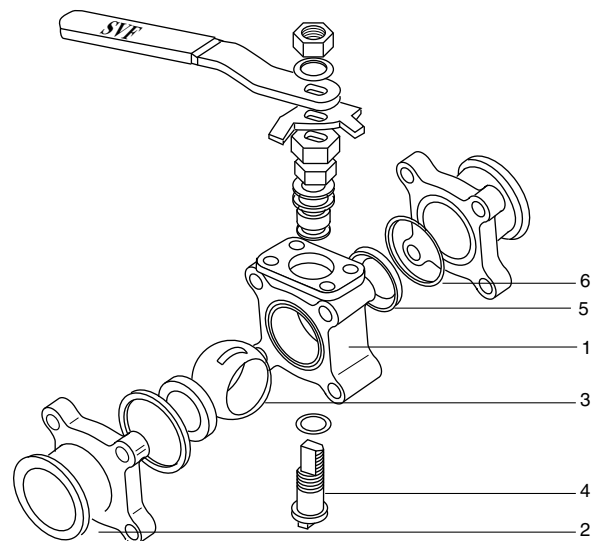
1/2" - 4"

- Complete 316L SS Construction
- Drainable design with Tube-ID dimensions
- Weld bosses for easy purging on ends and body
- Encapsulated body seals to facilitate inline weldability without disassembly
- Integral ISO mounting pad to ISO-5211
- Full Range of versatile options



MATERIALS

Item	Description	Material
1	Body	316 Stainless
2	Body Connector	316 Stainless
3	Ball	316 Stainless
4	Stem	316 Stainless
5	Valve Seat	PTFE-TFM
6	Body Connector Seal	PTFE



DIMENSIONS & WEIGHTS (ins., lbs.)

Size	A	A1	B	C	D	E	weight (lbs)
1/2"	3.50	5.50	4.49	4.50	0.37	1.76	1.50
3/4"	4.00	6.00	4.49	4.50	0.62	1.87	1.75
1"	4.50	6.50	5.75	5.75	0.87	2.40	3.20
1-1/2"	5.50	7.50	5.75	7.00	1.37	3.16	8.00
2"	6.25	8.00	7.00	7.00	1.87	3.35	13.00
2 1/2"	6.27	9.50	7.00	10.00	2.37	5.83	23.00
3"	7.00	10.50	10.50	13.80	2.87	7.25	32.00
4"	8.50	12.50	13.80	22.00	3.83	8.00	47.00

