

VAAS

Product Datasheet - 930

Model 930 *eGate* Knife Gate Valve

Model 930 is a uni-directional knife gate valve targeted towards general purpose requirements. This series retains the same high quality standards used in the more expensive models such as 940 and 950 but utilizes a more economical design that is sufficient for general purpose services. In particular the pressure ratings are lower than the 940/950 series in larger sizes, in line with the requirements of most common applications. Valve face-to-face complies with MSS SP-81 standard. Metal seated valves are offered with leakage figures that are equal or better than ANSI Class IV and soft seated version provide bubble tight shut-off.

Model 930 features cast jams and guides (above 200mm) and has a two lug body design similar to the Model 950. This range also provides easy and on-site inter-changeability between manual and pneumatic actuation

TYPICAL APPLICATIONS

- Water & sewage plants
- Pulp and paper plant services
- Dry powder hopper isolation applications

SPECIFICATIONS

Type Uni-directional Knife Gate Valve
Size range 50mm to 600mm

Pressure rating

Size, mm (inch)	CWP, bar (psi)
50-125 (2"-5")	10 (150)
150 (6")	8 (115)
200 (8")	7 (100)
250-300 (10"-12")	5 (70)
350-400 (14"-16")	4 (60)
450-600 (18"-24")	3 (40)

Endstyle Wafer, flangeless, two lug design
Face-to-face As per MSS SP-81
Drilling ANSI 150lb standard; others available at extra charge, please contact VAAS
Body Stainless steel (CF8 & CF8M)
Gate stainless steel (304 & 316)
Seat Integral metal-to-metal, replaceable soft seat (EPDM) ; other soft seats on application
Packing Teflon impregnated yarn (suitable for general non-corrosive and non-abrasive media upto 120 deg C) standard ; other packing material options available.
Superstructure Steel
Actuator * Handwheel, chainwheel, bevel gear handwheel or chainwheel
* VAAS Pneumatic double-acting cylinder and electric actuator
Accessories & Options Various accessories and special construction options are available for this model. Please refer relevant Product Datasheets for details.

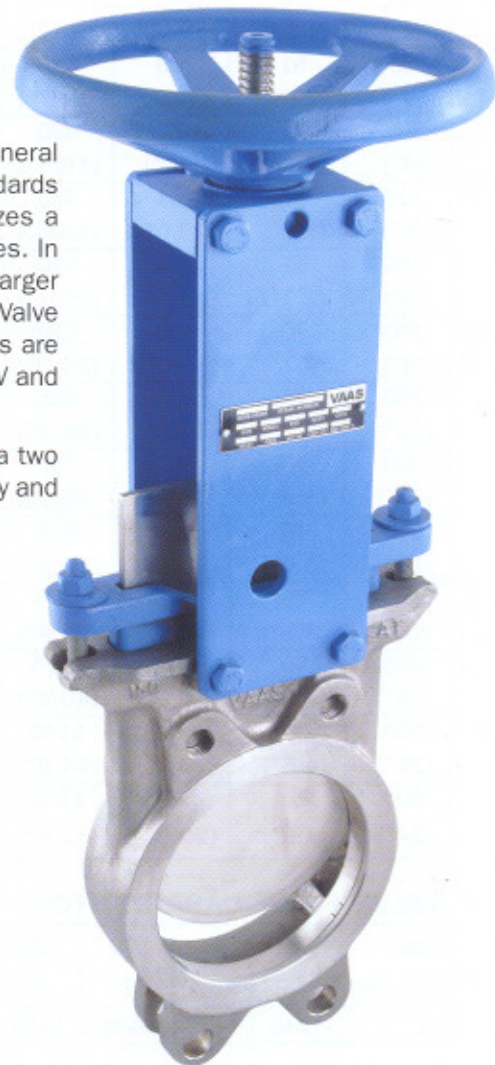
TEST SPECIFICATIONS

Body hydro test : At 1.5 times rated CWP

Seat leakage test : With water at 40 psi applied to the back of the gate, maximum permissible leakage shall be:-
Metal seated valve : 120-300cc/min/inch
Soft seated valve : Zero leakage

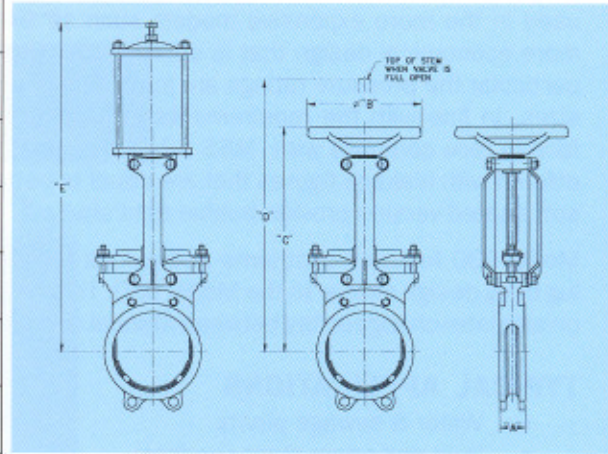
PAINTING

Except for stainless steel components, all exteriors will be painted with VAAS standard blue paint. Other paint options available at extra charge.



DIMENSIONS (mm)

Size mm (Inches)	A	B	C	D	E
50 (2")	48 (1.9")	203 (8.0")	310 (12.2")	335 (13.2")	435 (17.0")
80 (3")	51 (2.0")	203 (8.0")	375 (14.7")	435 (17.2")	530 (20.8")
100 (4")	51 (2.0")	03 (8.0")	420 (16.5")	500 (19.7")	595 (23.4")
125 (5")	57 (2.3")	254 (10.0")	470 (18.5")	570 (22.4")	690 (27.2")
150 (6")	57 (2.3")	254 (10.0")	510 (20.1")	635 (25.0")	755 (29.7")
200 (8")	70 (2.7")	305 (12.0")	610 (24.0")	785 (30.9")	930 (36.6")
250 (10")	70 (2.7")	406 (15.9")	665 (26.2")	925 (36.4")	1070 (42.2")
300 (12")	76 (3.0")	406 (15.9")	755 (29.7")	1060 (41.7")	1235 (48.6")
350 (14")	76 (3.0")	508 (20.0")	815 (32.1")	1170 (46.1")	1402 (55.2")
400 (16")	89 (3.5")	508 (20.0")	900 (35.4")	1300 (51.2")	1462 (57.5")
450 (18")	89 (3.5")	508 (20.0")	1025 (40.4")	1480 (58.3")	1645 (64.7")
500 (20")	114 (4.5")	508 (20.0")	1140 (44.9")	1640 (64.6")	1860 (73.2")
600 (24")	114 (4.5")	508 (20.0")	1335 (52.5")	1935 (76.2")	160 (85.0")



VALVE FLOW CAPACITY (Cv)

Size, mm (inch)	50 (2)	80 (3)	100 (4)	125 (5)	150 (6)	200 (8)	250 (10)	300 (12)	350 (14)	400 (16)	450 (18)	500 (20)	600 (24)
Cv	240	565	1040	1670	2440	4460	6250	9400	12500	16500	21400	27000	39700

ACTUATOR SELECTION (Air supply pressure 5 bar; for other supply pressures, please consult VAAS)

Size, mm (inch)	50 (2)	80 (3)	100 (4)	125 (5)	150 (6)	200 (8)	250 (10)	300 (12)	350 (14)	400 (16)	450 (18)	500 (20)	600 (24)
Actuator model	CCGC3	CCGC3	CCGC3	CCGC4	CCGC4	CCGC6	CCGC8	CCGC0	CCGC0	CCGC10	CCGC12	CCGC12	CCGC12

ACCESSORIES

Model 930 valves can be offered with a variety of optional accessories. Please refer Product Datasheet – 400 for complete details.

ORDERING

For ordering information please refer Product Datasheet –100. In view of continuous product improvement activities, specifications are subject to change.



VAAS INDUSTRIES PVT LTD

5/216, Old Mahabalipuram Road,
Kandanchavadi, Chennai - 600 096, India
Tel: + 91 44 2496 4656/2496 5500. Fax: + 91 44 5215 2473
E-mail: support@vaasval.com Web : www.vaasval.com



* All statements, technical information, and recommendations in this bulletin are for general use only. Consult VAAS representatives or factory for the specific requirements and material selection for your intended application. The right to change or modify product design or product without prior notice is reserved.
VAAS/930/INTL/3000/10/2004