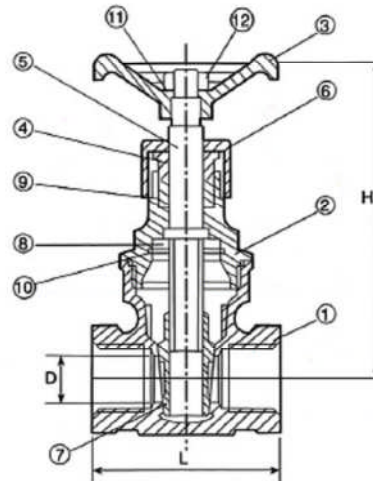




# CLASS 200 STAINLESS GATE VALVE

MODEL: #907



STANDARD  
 DESIGN: ANSI B16.34  
 TESTING: API 598

**MATERIAL LIST**

NO.	QTY	PART NAME	SPECIFICATION
1	1	BODY	STAINLESS TYPE 316
2	1	BONNET	STAINLESS TYPE 316
3	1	HAND WHEEL	CAST IRON
4	1	GLAND	STAINLESS TYPE 316
5	1	STEM	STAINLESS TYPE 316
6	1	PACKING NUT	STAINLESS TYPE 304
7	1	DISC	STAINLESS TYPE 316
8	1	STEM WASHER	STAINLESS TYPE 316
9	1	GLAND PACKING	TEFLON
10	1	SNAP RING	STAINLESS TYPE 316
11	1	NAME PLATE	ALUMINUM
12	1	WHEEL NUT	STAINLESS TYPE 304

SCREWED BONNET, NRS, SCREWED END ASTM A 351 CF8M, 200 PSI WORKING PRESSURE AT 350°

**DIMENSIONS LIST (ANSI #150) (inch)**

SIZE	1/2"	3/4"	1"	1-1/4"	1-1/2"	2"
L	2.17	2.36	2.56	3.15	3.35	3.74
H	3.74	4.33	4.72	5.31	5.71	6.69
d	0.59	0.79	0.98	1.26	1.50	1.97
LBS	0.97	1.43	1.75	2.98	3.73	5.34