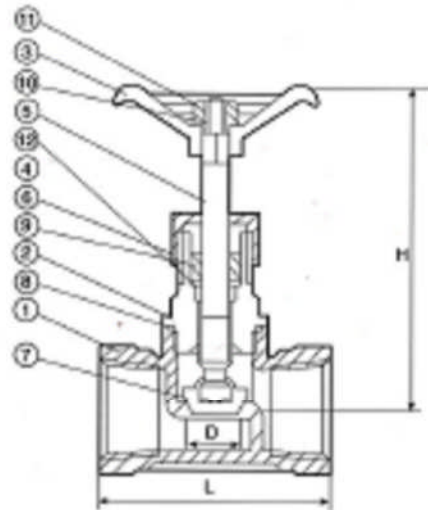




CLASS 200 STAINLESS GLOBE VALVE

MODEL: #908



STANDARD
DESIGN: ANSI B16.34
TESTING: API 598

MATERIAL LIST

NO.	QTY	PART NAME	SPECIFICATION
1	1	BODY	STAINLESS TYPE 316
2	1	BONNET	STAINLESS TYPE 316
3	1	HAND WHEEL	CAST IRON
4	1	GLAND	STAINLESS TYPE 316
5	1	STEM	STAINLESS TYPE 316
6	1	GLAND NUT	STAINLESS TYPE 304
7	1	DISC	STAINLESS TYPE 316
8	1	GLAND	TEFLON
9	1	GLAND PACKING	TEFLON
10	1	NAME PLATE	ALUMINUM
11	1	WHEEL NUT	STAINLESS TYPE 304
12	1	PACKING WASHER	STAINLESS TYPE 316

SCREWED BONNET, NRS, SCREWED END ASTM A 351 CF8M, 200 PSI WORKING PRESSURE AT 350°

DIMENSIONS

(inch)

SIZE	1/4"	3/8"	1/2"	3/4"	1"	1-1/4"	1-1/2"	2"
L	1.97	1.97	2.17	2.44	2.95	3.15	3.54	4.19
H	2.95	2.95	2.95	3.35	3.54	3.94	4.53	4.72
D	0.39	0.39	0.39	0.59	0.79	0.98	1.26	1.50
LBS	N/A	N/A	0.60	0.93	1.25	1.85	2.38	3.44