

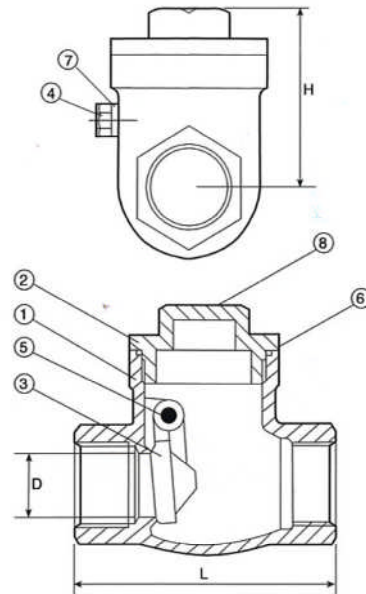


CLASS 200 STAINLESS SWING CHECK VALVE

MODEL: #909



SCREWED BONNET, NRS, SCREWED END ASTM A 351 CF8M, 200PSI WORKING PRESSURE AT 350°



STANDARD

DESIGN: ANSI B16.34

TESTING: API 598

MATERIAL LIST

NO.	QTY	PART NAME	SPECIFICATION
1	1	BODY	STAINLESS TYPE 316
2	1	CAP	STAINLESS TYPE 316
3	1	DISC	STAINLESS TYPE 316
4	1	PLUG	STAINLESS TYPE 316
5	1	HINGE PIN	STAINLESS TYPE 316
6	1	GASKET	TEFLON
7	1	GASKET	TEFLON
8	1	NAME PLATE	ALUMINUM

DIMENSIONS

(inch)

SIZE	1/4"	3/8"	1/2"	3/4"	1"	1-1/4"	1-1/2"	2"	2-1/2"	3"
L	2.36	2.36	2.56	3.19	3.54	4.13	4.72	5.51	7.09	7.87
H	1.65	1.65	1.89	2.17	2.44	2.76	3.15	3.54	4.53	4.92
D	0.43	0.43	0.59	0.79	0.98	1.26	1.50	1.97	2.56	3.15
LBS	0.52	0.49	0.62	1.01	1.60	2.56	3.40	5.78	12.13	15.34